



reddot winner

HallMonitor plus  
by HATCH+MED

Epic

**201A**

**Contact**

Admit Date: 07/14/2025  
 Attending: Drew Walker, MD  
 Nurse: Kim H (Ph: 777-3920)

**Fall Risk**      **Latex Allergy**

**Required Before Entering Room**

**Visitors**

- Wash Hands
- Wear Mask

**Staff**

- Wash Hands
- Wear Mask
- Wear Gloves
- Wear Gown

Full Code      **Epic**      Med Surg 2

**201A**

HATCH+MED



# An Intelligent Display for Complex Data

Translating EMR, nurse call and bed signals into clear, actionable insights

Connecting patients to technology  
in a **way that makes sense.**

Since 2012, HatchMed has been transforming hospital safety, patient engagement, and workflow efficiency by providing healthcare teams with technology designed around their real-world needs. Founded by industry expert Brian Hatch, HatchMed is built on over 30 years of combined experience in software, hardware, and design. Our agile, collaborative approach has earned the trust of prominent hospitals across the country, allowing us to adapt to diverse facility needs with impactful technology solutions.

Our mission is straightforward: to help patients leave the hospital healthier, happier, and faster. We achieve this through innovation, bringing cutting-edge solutions to patient care, while staying true to our core values of being collaborative, agile, and intuitive.

**HATCH+MED**

Epic Monitor curates data from any EMR & their current stay to answer a simple question:

does the patient need your attention **right now?**

**Contextual Illumination**  
Customizable

**Patient Precautions**

**Configurable Chart Display**

**Patient Isolation Status**

**Assigned Care Team**

**Entry Requirements**

**201A**

**Contact**

Admit Date: 07/14/2025  
Attending: Drew Walker, MD  
Nurse: Kim H (Ph: 777-3920)

Fall Risk Latex Allergy

**Required Before Entering Room**

Visitors  
Wash Hands Wear Mask

Staff  
Wash Hands Wear Mask Wear Gloves Wear Gown

Full Code **Epic** Med Surg 2

**203A**  
HATCH+MED



Epic is a trademark of Epic Systems Corporation.



info@hatchmed.com

**HATCH+MED**



844-428-2463



# Why **Epic Monitor** with HallMonitor?

## Patient & Care Team Safety

**Reduction** in accidental intrusion into **high isolation rooms** with automated HallMonitor LEDs at



---

## Nurse Efficiency

**Frees up hours** each day for bedside care from avoiding traditional paper signage, **with proven ROI**



---

## Clinical Workflow

Patient **fall risk** & RTLS **care team presence awareness** driven by HallMonitor at



# What is the cost of safety?

Our customers have helped us compare what it cost them to keep their signage as accurate as HallMonitor - **what is it costing you?**

**List Price**  
HallMonitors

**\$40 / h**  
Nursing Salary

**\$700 / room**  
Cable Wiring

**\$316**  
iPads

**Real Customer Data - Contact Us for a Personalized Estimate**

Savings for a 40 room med-surg unit	Time Spent per room per day	Time Spent all rooms annually	Annual Cost care team's time
<b>Before HallMonitor</b> Referencing EMR & manual signage updates 2x per day	<b>11.5</b> minutes	<b>2,800</b> hours	<b>\$112,000</b>
<b>With HallMonitor</b> Updating non-EMR statuses on screen	<b>2</b> minutes	<b>486</b> hours	<b>\$19,500</b>

**HallMonitor lets your care teams focus on patients — not chores.**

**380** minutes / day      **2,305** hours annually

**Additional Patient Care Time**

**\$92,000** annual savings

**9.8 months** ROI

**The Bottom Line**

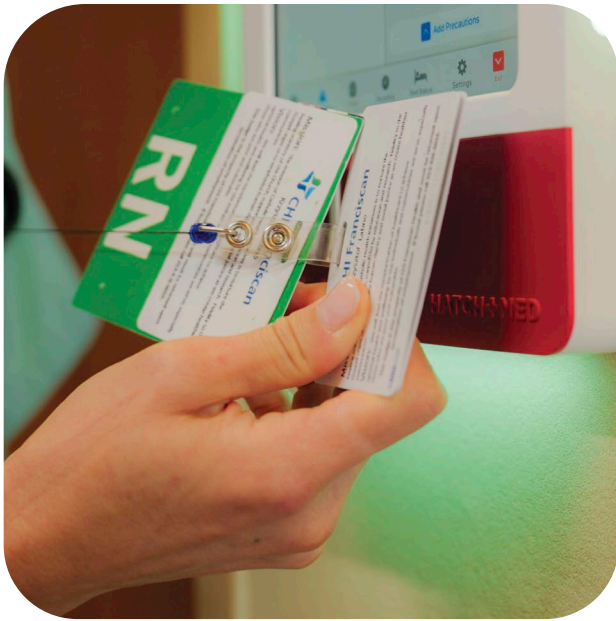


info@hatchmed.com

**HATCH+MED**



844-428-2463



## Staff Badge Reader

Authenticated workflows  
& non-EMR field edits



## Flexible Deployment

Portrait or landscape  
orientation



## Plug & Play Installation

Single PoE+ cable keeps the iPad charged, connected to wired internet & provides HallMonitor power. MAC whitelisting is supported.

## Maintenance

Cleanable with standard medical wipes & solutions. Modular, USB C based design, built around upgradeability and seamless component replacement.





## ADA Compliant & Tailor Made for You

Grade 2 Braille with raised room numbers to replace traditional signage & paper notes

Enclosure color, finish, number plate, and font — all matched to your hospital design. Software is tailored to existing workflows.

### What are the customization options?

Meaningful illumination tied to real-time status — like fall risk, isolation, in-room presence, or bed safety. EMR-connected and customizable, they highlight only what matters, when it matters.

### How do the LEDs impact alarm fatigue?

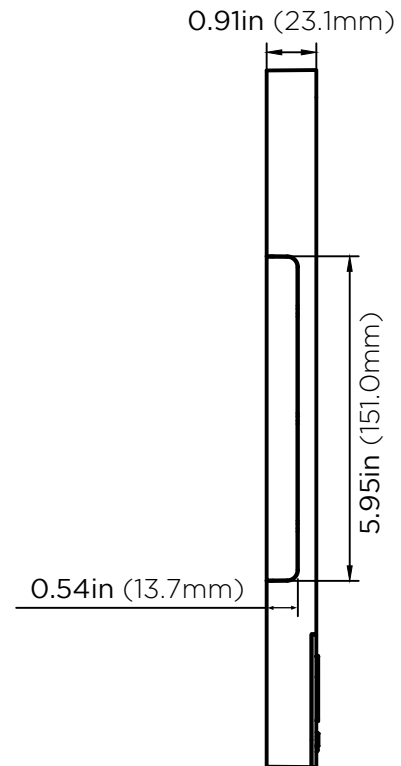
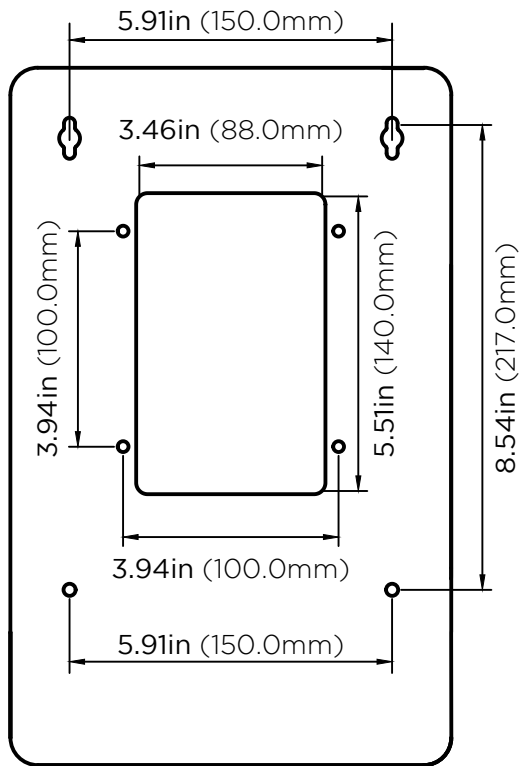
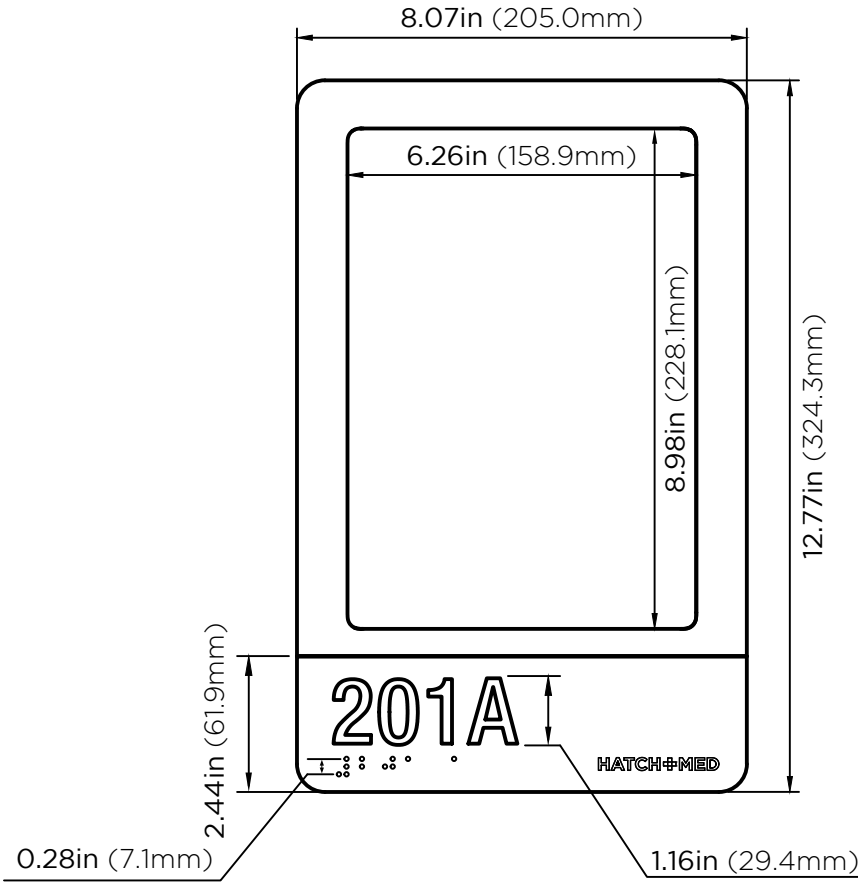
HallMonitor is a platform which grows with you - as iPads update, all cabling and circuitry remain constant, a simple frame upgrade is provided by HatchMed at no cost with the Upgrade Plan.

### What happens when a new iPad comes out?



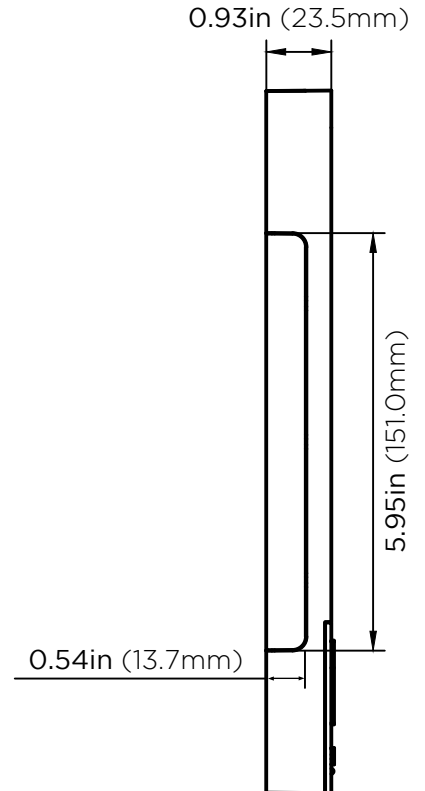
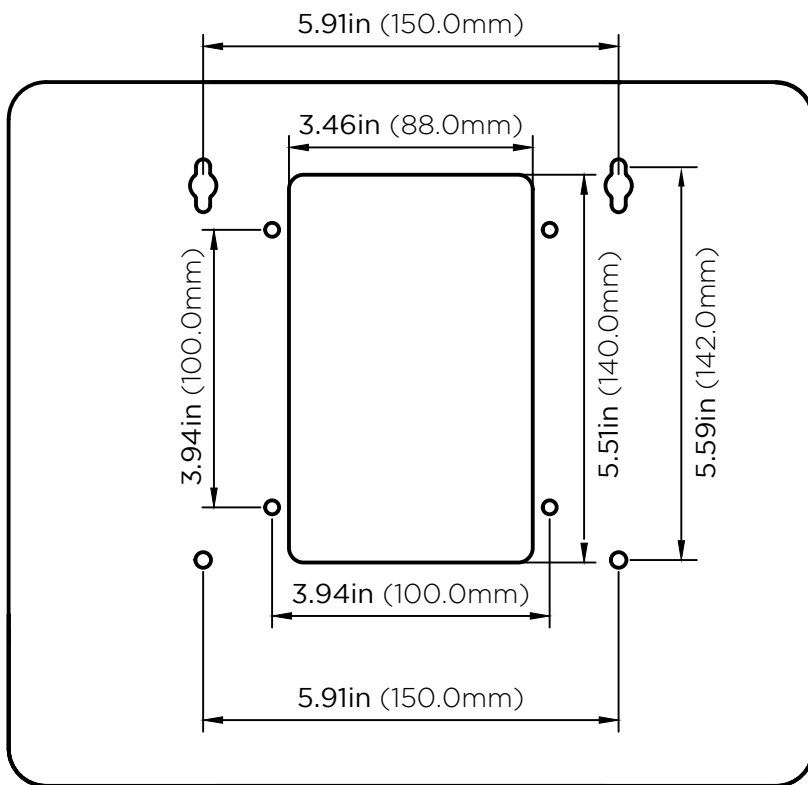
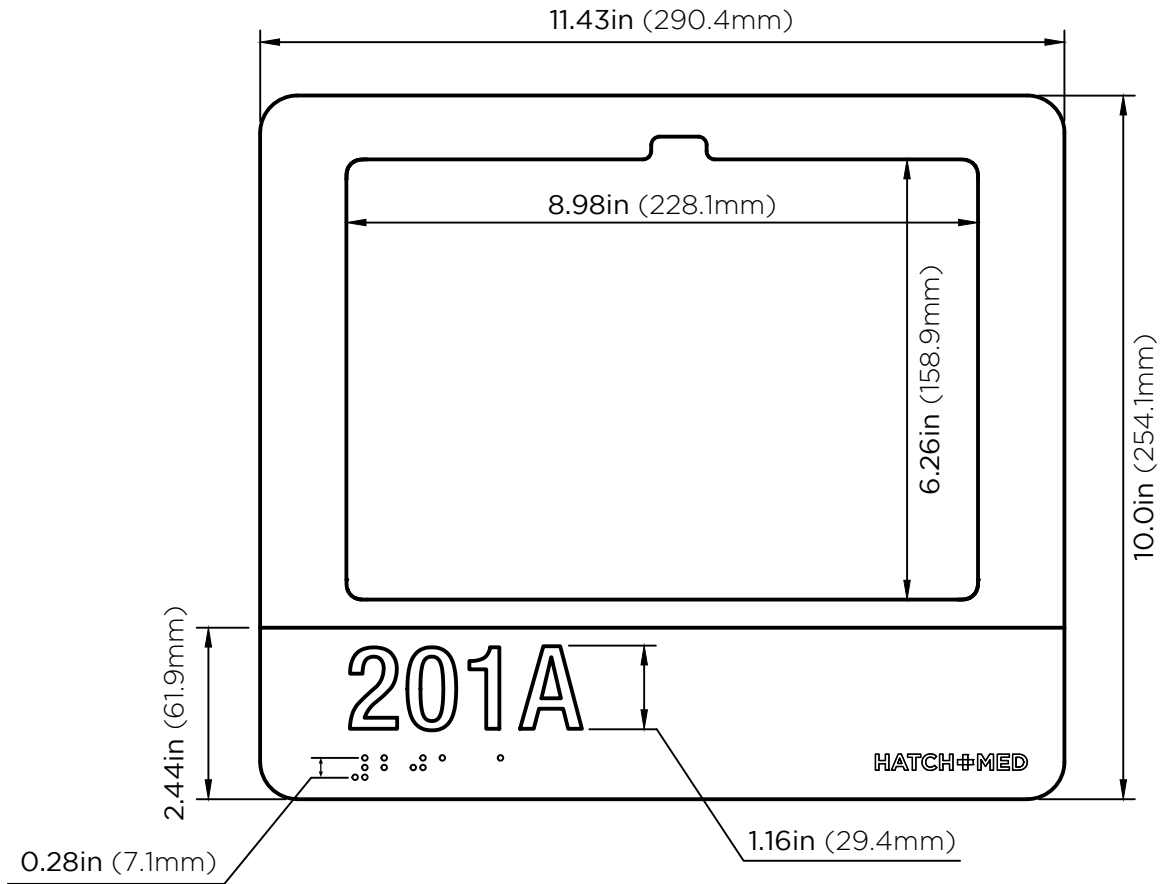
# HallMonitor Vertical

iPad 10th & 11th (A16) Gen  
HMNF-3921-KIT-PLUS

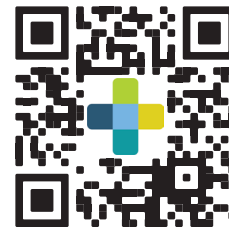


# HallMonitor Horizontal

iPad 10th & 11th (A16) Gen  
HMNF-3912-KIT-PLUS



# HallMonitor Specifications



Scan for info  
& install guide



Epic is a trademark of Epic Systems Corporation.

## Size & Weight

<b>Devices</b>	iPad 10th & 11th (A16) Gen
<b>Weight</b>	2.0 lb (without iPad) 3.1 lb (with iPad)
<b>Dimensions</b>	8.07" W x 12.77" H x 0.91" D (Vertical) 11.43" W x 10.00" H x 0.93" D (Horizontal)

## General Info

<b>Connection &amp; Charging</b>	PoE+ (Ethernet & power) or 24V @ 1.5A (WiFi & power)
<b>Power Draw</b>	Peak: ~20W (iPad fast charge) Standard operation: ~15W
<b>Materials</b>	UV resistant painted ABS body & Lexan illumination panels
<b>Illumination</b>	RGBW LED panels on all sides, support for varied brightness and patterns
<b>RFID Badge Reader</b>	HID OMNIKEY module supports most staff & ID badges
<b>iPad Features</b>	WiFi, front camera, speakers, microphones and screen not affected

## Regulatory

<b>Certifications</b>	UL/cUL IEC 62368-1:2014 & FDA Registered Medical Device, Class 2 Exempt
<b>Patents</b>	US20210051223A1 US20220051532A1

## Customization

<b>Enclosure Colors</b>	Two tone Pantone color scheme selection, custom paint matching available
<b>Numbers &amp; Braille</b>	ADA compliant, 1mm raised letters and Grade 2 Braille



reddot winner



info@hatchmed.com

HATCH+MED



844-428-2463